

TITAN

PROFESSIONAL HAND TOOLS

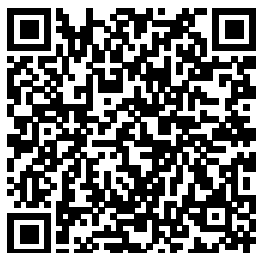
YOUR GO-TO
CATALOG
FOR WHAT'S
NEW AND HOT!

LOW-
PROFILE
SOCKETSETS

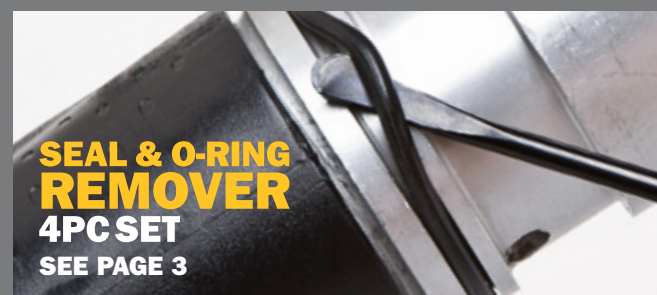
SEE PAGE 6



ONLINE AT:
TITAN-US.COM



SEAL & O-RING
REMOVER
4PC SET
SEE PAGE 3



SEAL & O-RING REMOVER 4PC SET



Prevents damaging seal or delicate finished surfaces

4pc Seal & O-Ring Remover Set

17004

- Allows for easy removal of seals and o-rings without damaging the seal or the finished surface
- Set Includes: (2) Contoured Tip & (2) Spoon Tip Lengths: 5-1/2" & 8-1/2"



INCLUDES:
(2) CONTOURED SPOON
TIP & (2) STRAIGHT
SPOON TIP REMOVERS



13" Heavy Duty Hand Riveter

15050

- Heavy Duty
- Wrench and nosepieces store in handles
- Compound lever action reduces operator fatigue
- Spent Mandrel Cup
- Can be used with Stainless Steel Rivets

Rivet Sizes: 1/8, 5/32, 3/16, & 1/4"



SPENT MANDREL CUP CATCHES USED RIVET PIECES

CAN BE USED WITH STAINLESS STEEL RIVETS

COMPACT DESIGN COMBINED WITH **MASSIVE FORCE**



NOSEPIECES STORE CONVENIENTLY IN HANDLE

10" Rivet Gun with Rivets

15052

- Includes 60 Rivets
- Anti-slip cushion grip handle
- Great for use in hard to reach places
- 4 Interchangeable Nosepieces: 3/32, 1/8, 5/32, & 3/16"



ANGLE GRINDERS

4-1/2" 4.3Amp Angle Grinder

22514

- Voltage: 120 V, 60Hz
- Amps: 4.3
- No Load Speed: 12,000 RPM
- Right or left handle mount
- Metal gear housing
- 5/8" Arbor
- 6' Electrical cord
- Lock-on safety switch



Right or left handle mount

Voltage:	AMPS:	No Load Speed:	Handle Mount:
120 V, 60Hz	4.3	12,000 RPM	Right and Left

4-1/2" 8Amp Angle Grinder

22525

- Voltage: 120 V, 60Hz
- Amps: 8
- No Load Speed: 11,000 RPM
- Right, top or left handle mount
- Metal gear housing
- 5/8" Arbor
- 6-1/2' Electrical cord
- Lock-on safety switch



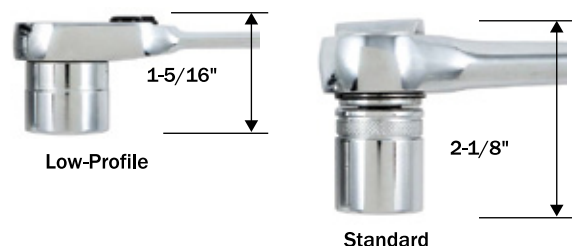
Right, left or top handle mount

Voltage:	AMPS:	No Load Speed:	Handle Mount:
120 V, 60Hz	8	11,000 RPM	Right, Left and Top

LOW-PROFILE SOCKET SETS



Low profile sockets & ratchets provide at least an additional 3/4" of clearance



LOW-PROFILE SOCKET SETS AVAILABLE

22pc 3/8" Dr. Fractional/Metric Low Profile Socket Set

68003

- Low-profile 3/8" Dr. ratchet
- Packaged in blow mold case
- 3/8" Dr. sizes include:

SAE	1/4, 5/16, 3/8, 7/16, 1/2, 9/16, 5/8, 11/16 & 3/4"
Metric	8, 9, 10, 11, 12, 13, 14, 15, 16, 17, 18 & 19mm

23pc 1/4" Dr. SAE/Metric Socket Set

63003

- Low-profile 1/4" Dr. ratchet
- Packaged in blow mold case
- 1/4" Dr. sizes include:

SAE	5/32, 3/16, 7/32, 1/4, 9/32, 5/16, 11/32, 3/8, 7/16, 1/2 & 9/16"
Metric	4, 5, 6, 7, 8, 9, 10, 11, 12, 13 & 14mm

Low Profile Impact Bit Sockets Feature:

- Impact Grade
- Rail storage rack
- Available for the following fasteners: Tamper Resistant Star, Star, XZN/Triple Square, Hex Metric and Hex SAE



9pc Triple Square Bit Set

16138

- XZN/Triple Square sizes include:

1/4" Dr.	M4, M5, M6 & M8
3/8" Dr.	M10 & M12
1/2" Dr.	MT14, MT16 & MT18

10pc Star Bit Set

16142

- Star sizes include:

1/4" Dr.	T10, T15, T20, T25, T27 & T30
3/8" Dr.	T40, T45, T47 & T50

10pc Star Bit Set

16143

- Tamper Resistant Star sizes include:

1/4" Dr.	TT10, TT15, TT20, TT25, TT27 & TT30
3/8" Dr.	TT40, TT45, TT47 & TT50

9pc SAE Hex Bit Set

16140

- Hex sizes include:

1/4" Dr.	1/4, 5/16 & 3/8"
3/8" Dr.	7/16, 1/2, 9/16, 5/8, 11/16 & 3/4"

9pc Metric Hex Bit Set

16141

- Metric sizes include:

1/4" Dr.	6, 7, 8 & 10mm
3/8" Dr.	12, 14, 17, 18 & 19mm

POWERFUL
IMPACT GRADE



1/4" & 3/8" DRIVE SLIM HEAD RATCHET SOCKET SETS



All Sets Feature:

- Professional Slim Head Ratchet
- Sturdy Storage/Carry Case

The slim head ratchets head are considerably smaller compared to a traditional ratchet head allowing for greater clearance in confined areas.

Knurled sockets and accessories reduces slippage when turning with fingers



Slim head ratchets have a 60 thread tooth count

40pc 3/8" Dr. SAE/Metric Socket Set

68203

- 3" & 6" Extensions
- 5/8" Spark Plug Socket
- Sizes Included:

SAE 6 Point Standard Sockets	1/4, 5/16, 3/8, 7/16, 1/2, 9/16, 5/8, 11/16 & 3/4"
Metric 6 Point Standard Sockets	10, 11, 12, 13, 14, 15, 16, 17, 18 & 19mm
SAE 6 Point Deep Sockets	3/8, 7/16, 1/2, 9/16, 5/8, 11/16, 3/4, 13/16 & 7/8"
Metric 6 Point Deep Sockets	10, 11, 12, 13, 14, 15, 17 & 19mm



3/8" Dr. Socket Sets

68001 - 21pc SAE

6 Point Sockets	1/4, 5/16, 3/8, 7/16, 1/2, 9/16, 5/8, 11/16 & 3/4"
6 Point Deep Sockets	3/8, 7/16, 1/2, 9/16, 5/8, 11/16, 3/4, 13/16 & 7/8"
Extensions	1-1/2" & 6"



68201 - 22pc Metric

6 Point Sockets	10, 11, 12, 13, 14, 15, 16, 17, 18 & 19mm
6 Point Deep Sockets	10, 11, 12, 13, 14, 15, 17 & 19mm
Extensions	3" & 6"
Spark Plug Socket	5/8"

1/4" Dr. Socket Sets

66001 - 21pc SAE

6 Point Sockets	3/16, 7/32, 1/4, 9/32, 5/16, 11/32, 3/8, 7/16 & 1/2"
6 Point Deep Sockets	1/4, 9/32, 5/16, 11/32, 3/8, 7/16 & 1/2"

66201 - 21pc Metric

6 Point Sockets	4, 5, 6, 7, 8, 9, 10, 11 & 12mm
6 Point Deep Sockets	6, 7, 8, 9, 10, 11 & 12mm

Both Feature:

- 6" Spinner Handle
- 2" & 6" Extensions
- Universal Joint



SAE & METRIC UNIVERSAL SOCKET SETS ON RAIL

FULL POLISH



CHROME
VANADIUM
CONSTRUCTION

7pc SAE 1/4\" Dr. Universal Socket Set

17409

• Set Includes:

SAE	3/16\", 1/4\", 5/16\", 3/8\", 7/16\", 1/2\" & 9/16\"
-----	--

Bulk Item #'s for 17409:

66336	3/16"
66337	1/4"
66338	5/16"
66339	3/8"
66340	7/16"
66341	1/2"
66342	9/16"

12pc MM 1/4\" Dr. Universal Socket Set

17410

• Set Includes:

Metric	5mm, 5.5mm, 6mm, 7mm, 8mm, 9mm, 10mm, 11mm, 12mm, 13mm, 14mm & 15mm
--------	---

Bulk Item #'s for 17410:

66325	5mm
66324	5.5mm
66326	6mm
66327	7mm
66328	8mm
66329	9mm
66330	10mm
66331	11mm
66332	12mm
66333	13mm
66334	14mm
66335	15mm

7pc SAE 3/8\" Dr. Universal Socket Set

17411

• Set Includes:

SAE	3/8\", 7/16\", 1/2\", 9/16\", 5/8\", 11/16\" & 3/4\"
-----	--

Bulk Item #'s for 17411:

68350	3/8"
68351	7/16"
68352	1/2"
68353	9/16"
68354	5/8"
68355	11/16"
68356	3/4"

10pc MM 3/8\" Dr. Universal Socket Set

17412

• Set Includes:

Metric	10mm, 11mm, 12mm, 13mm, 14mm, 15mm, 16mm, 17mm, 18mm & 19mm
--------	---

Bulk Item #'s for 17412:

68340	10mm
68341	11mm
68342	12mm
68343	13mm
68344	14mm
68345	15mm
68346	16mm
68347	17mm
68348	18mm
68349	19mm

Spot Spray Non-Aerosol Sprayers

19419 - Red

19421 - Red & Blue (Twin Pack)

- Color-coded for easy recognition

Features:

- 80-150psi operating pressure (max pressure: 200psi)
- Refillable
- Not for use with paint products
- Eliminates dangerous, harmful propellants
- No more aerosol disposal issues
- Maximum capacity 32oz
- Available in a single or twin-pack
- Eco friendly

**SPOT SPRAY
NON-AEROSOL
SPRAYERS**

Maximum capacity 32oz



Easy to Identify color coded canisters and labels

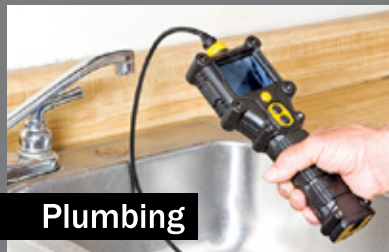
5.5MM DIAMETER LED CAMERA

INCLUDES 3FT. FLEXIBLE WATER-RESISTANT SCOPE

5.5mm Flexible Inspection Camera

15054 - 5.5MM with storage case

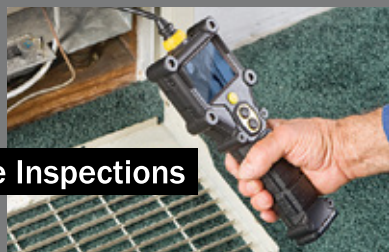
- 2.7" TFT LCD Screen
- Resolution: VGA (300,000 pixels)
- 180° image rotation



Plumbing



Engine Work



Home Inspections



TITAN's Flexible Inspection Camera's also feature:

- Ultra clear resolution LCD screen
 - Zoom in 2X
- Operation time: 4-5 hours
 - Drop resistant
- 5 hour constant use battery life
 - Includes: (4) AA Batteries
 - Carrying case included

With a drop resistant protective case, the 5.5mm Flexible Inspection Camera is an essential tool for your collection!

3FT. FLEXIBLE WATER-RESISTANT INSPECTION CAMERAS



8mm Flexible Inspection Camera

15059

- 3.5" TFT LCD Screen
- Inspect in walls for mold, electrical wire, pipe location, heaters, and A/C ducts
- View inside or around automotive engines and transmissions
- 8mm diameter camera
- 3ft water resistant flexible probe
- 180 degree image rotation
- LED brightness control
- Includes (4) AA batteries



Automotive

8.5mm Flexible Inspection Camera

15053

- 2.7" TFT LCD Screen
- Resolution: VGA (300,000 pixels)
- Zoom in 2X
- Operation time: 4-5 hours
- Includes (4) AA Batteries



The 3ft. flexible water-resistant probe allows for inspection in every location, wet or dry!

PROFESSIONAL AND TRADESMAN MECHANICS TOOLS

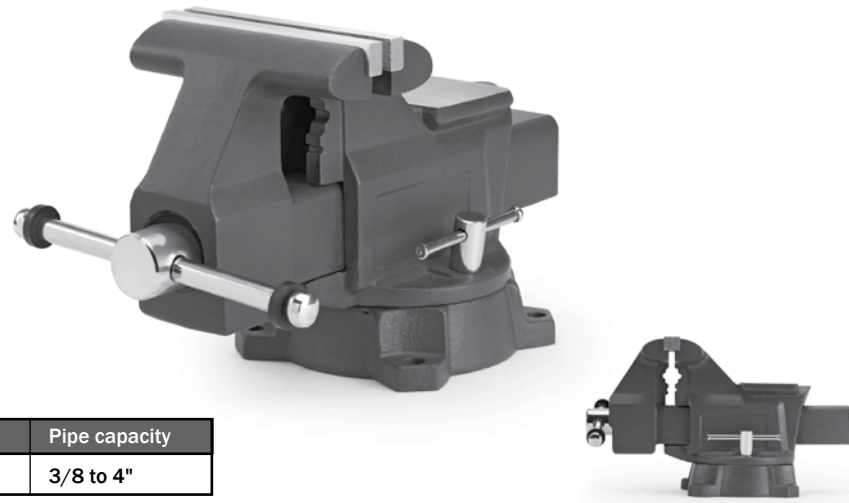
Professional Mechanics Bench Vises

22011 - 4"

22014 - 5"

22016 - 6"

- Professional Grade
- Forged Steel Beam
- Replaceable hardened steel jaws
- Serrated pipes jaws
- Incorporated anvil
- Swivel base with position lock
- Replacement Jaws available



Jaw width	Jaw opening	Throat depth	Pipe capacity
5"	4-3/4"	6"	3/8 to 4"

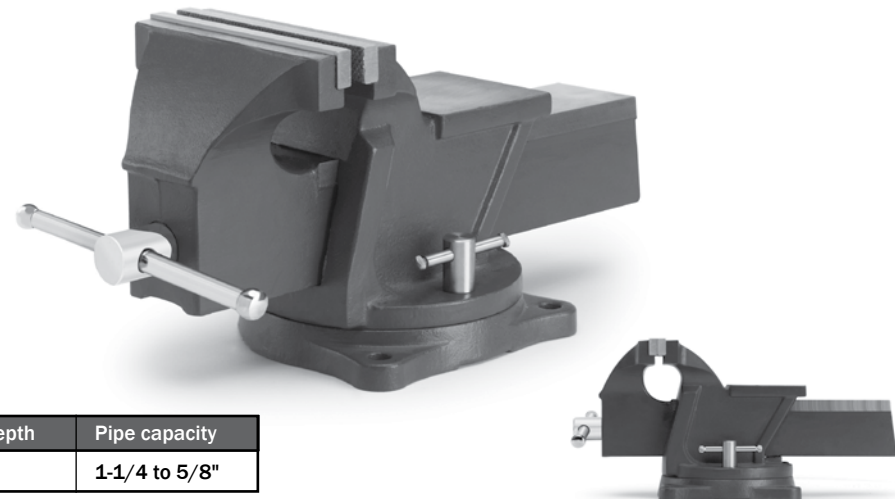
Tradesmans Mechanics Bench Vises

22010 - 4"

22013 - 5"

22015 - 6"

- Hardened Steel Jaws
- Precision cast iron beam
- Replaceable jaws
- Incorporated anvil
- Swivel base with position lock
- Replacement Jaws available



Jaw width	Jaw opening	Throat depth	Pipe capacity
4"	4-1/4"	4-1/2"	1-1/4 to 5/8"

**PROFESSIONAL TRADESMAN
8" BENCH VISE**

8" Heavy Duty Bench Vise

22018

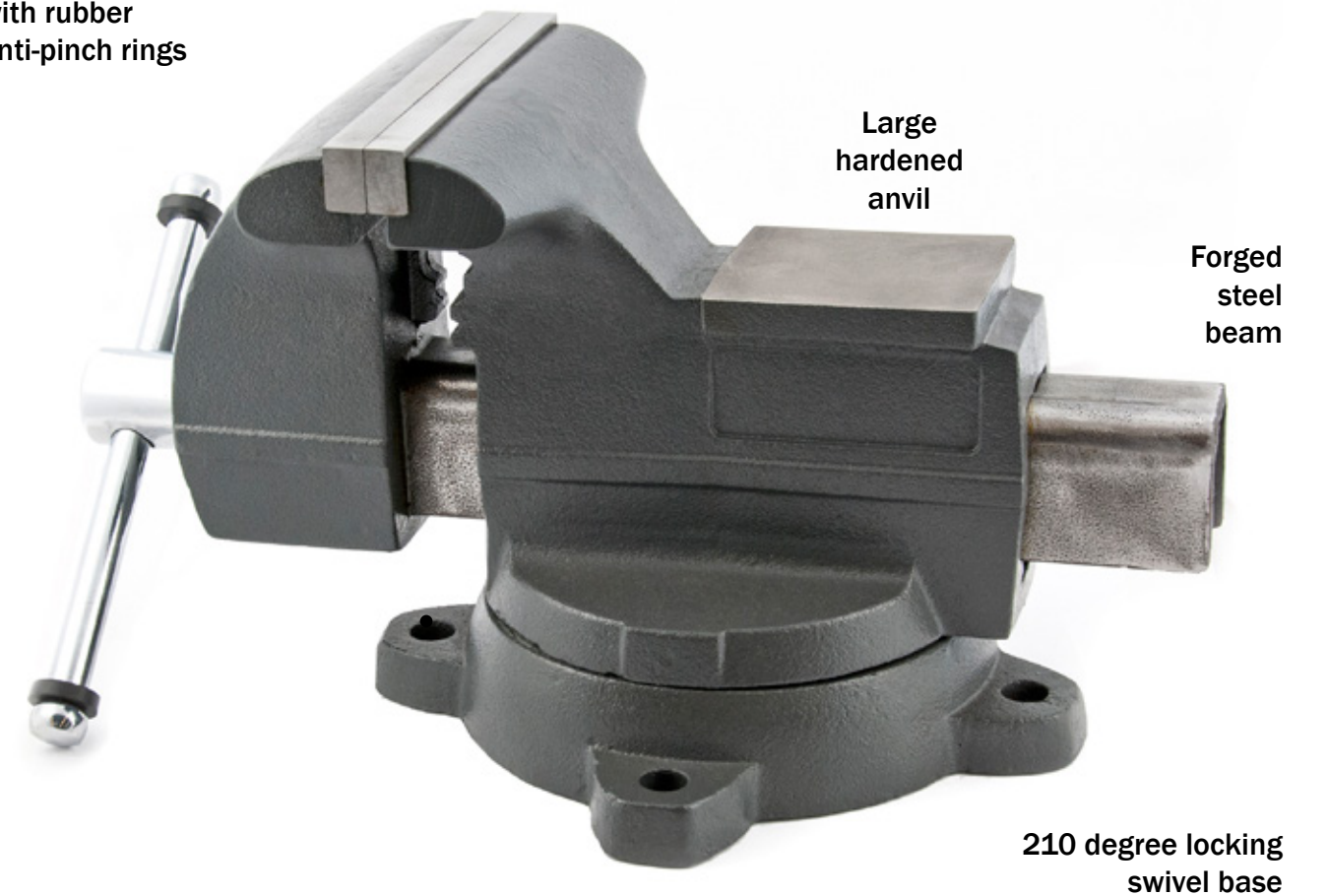
- Anvil size: 4 X 3.5"
- 210 degree swivel base
- Jaws rotate for clamping at any angle
- Precision cast iron beam
- Replaceable jaws
- Incorporated anvil

Jaw width	Jaw opening	Throat depth	Pipe capacity
8"	7.5"	4.5"	13.5-100"

Pipe jaws designed to grip pipe securely

Hardened replaceable jaws

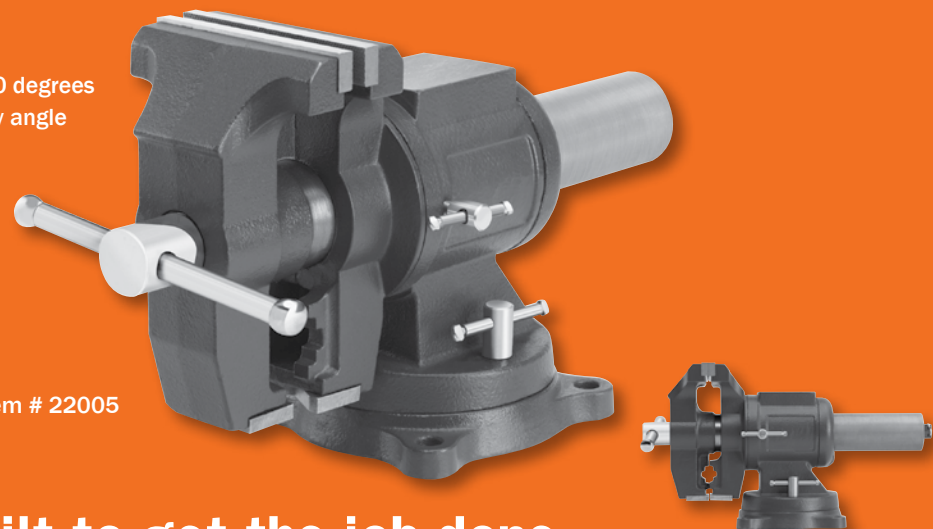
Steel handle with rubber anti-pinch rings



5" Swivel Vise

22012

- Hardened steel jaws rotate 360 degrees
- Jaws rotate for clamping at any angle
- Precision cast iron beam
- Replaceable jaws
- Incorporated anvil
- Serrated pipe jaws
- Jaw width: 5"
- Jaw opening: 5"
- Throat depth: 8-1/2"
- Pipe capacity: 3/8 to 5"
- Replacement Jaw available: Item # 22005



135 AMP GAS & GASLESS MIG WELDER & ACCESSORIES KIT

135 Amp Gas & Gasless MIG Welder Kit

41187

- 20%@90 Amp, 115 V
- 22-135 Amp motor ETL Certified
- Welding helmet to ensure eye and face protection
- Welding gloves to protect against splatter
- Step-less wire speed control
- Inner cooled for increased performance
- Electronic gas valve
- Easy read gauges
- Adjustable Gas regulator
- Operates on 115V Household Current
- Multiple Voltage Settings



MIG TORCH WITH 8FT LEAD
GROUND CLAMP WITH 10FT LEAD

WELDING CART TO HELP STORE
AND ORGANIZE
WELDER & WELDING
ACCESSORIES

Accessories Included:

- Fleece lined, premium leather Welding Gloves
- Solar Powered Auto Darkening Welding Helmet
- Flux core 1lb MIG wire
- 2lbs Welding wire
- Sturdy Steel Structure cart

ADDITIONAL WELDERS AVAILABLE

135 Amp Gas & Gasless MIG Welder

41186

- 20%@90 Amp, 115V
- 22-135 Amp motor
- ETL Certified
- MIG Torch with 8ft lead
- Ground Clamp with 10ft lead
- Thermal overload protection
- 4-step voltage settings
- Stepless wire speed control
- Adjustable regulator/flow gauge
- Inner cooled for increased performance
- Electronic gas valve



175 Amp Gas and Gasless MIG Welder

41188

- 20%@135 Amp, 230V 60 Hz
- 35-170 Amp motor ETL Certified
- MIG torch with 8ft lead
- Ground clamp with 10ft lead
- Thermal overload protection

- Multiple voltage settings
- Stepless wire speed control
- Adjustable regulator/flow gauge
- Adjustable gas regulator



GAS AND GASLESS

4-STEP VOLTAGE SETTINGS

ACCESSORIES INCLUDED

WELDING HELMET INCLUDED

AUTOMATICALLY DARKENS IN 1/30,000 OF A SECOND

Welding Helmets feature:

- Durable, lightweight material is corrosion resistant and flame retardant
- Ultra high performance filters protect against UV & IR
- 2.17 x 3.86" viewing area
- Returns to normal when welding stops with dark to clear adjustments available
- Variable shades from DIN 9 to DIN 13
- Special turnover headband mechanism allows for greater comfort and reduces fatigue
- Utilizes high performance solar cells with 2 built-in 3V lithium batteries as power back-up
- Complies with DIN, ISO, EN safety standards and ANSI Z87.1-2003 standards

41279



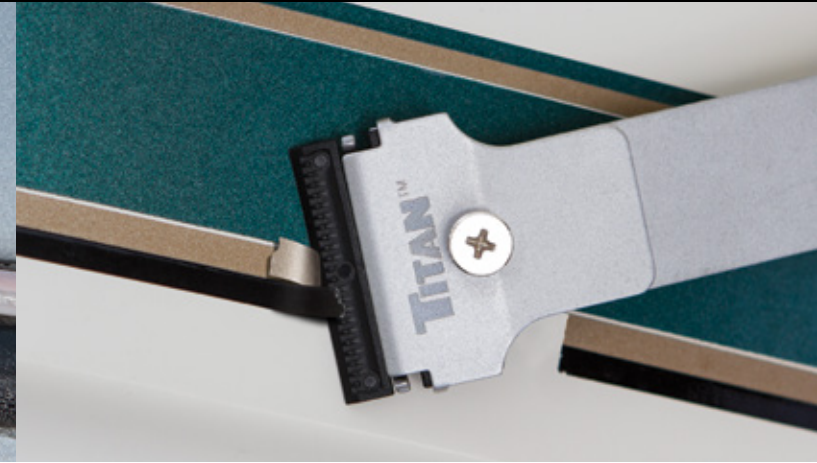
Available Designs:

- 41279 - Skull Wrecker
- 41278 - Pirates at Sea

EXTRA LARGE VIEWING AREA

2.17 x 3.86"
viewing area

41278



Non-Marring Scraper Blades

12038

- Ideal for scraping labels and decals from glass, windshields, etc.
- 2 Individual packs containing (10) Non-Marring Scraper Blades
- Polymere Construction
- Fits most common scrapers
- Each blade features two usable edges



Each blade features two usable edges

22pc Scraper Set with Non-Marring Blades

17008

- Set Includes:
- (11) 0.020" Razor Blades
- (10) Non-Marring Scraper Blades
- (1) 9" Razor Scraper
- Non-scratching/non-marring scraper blades are ideal for scraping finished surfaces
- 9" Razor scraper accepts standard single edge razor blades and non-marring blades

Fits most common scrapers



AUTO BODY REPAIR TOOLS & ACCESSORIES

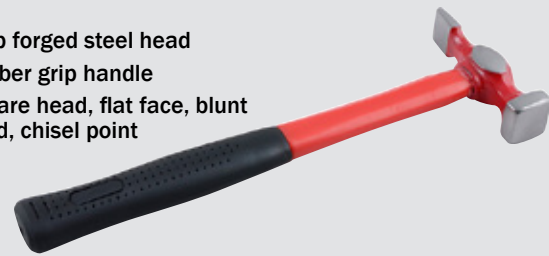


7pc Auto body Hammer Set

- 15084**
- Heat-treated, dropped forged steel dollies and hammers
 - Fiberglass hammer handles with non-slip grip
 - Includes: bumping hammer, pick & finish hammer, reverse curve hammer, utility dolly, double end dolly, shrinking dolly, curve dolly, blow mold case

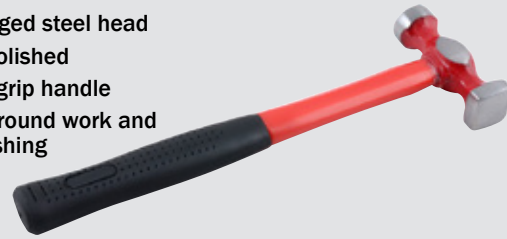
Straight Finishing Hammer

- 15079**
- Drop forged steel head
 - Rubber grip handle
 - Square head, flat face, blunt head, chisel point



Shrinking Hammer

- 15080**
- Drop forged steel head
 - Mirror polished
 - Rubber grip handle
 - For all-around work and fast finishing



Pick Finishing Hammer

- 15081**
- For finishing
 - Long-reach, thin point for low spot on low-crown panels



8oz Rubber Mallet

- 15082**
- Double-faced solid rubber head
 - Textured non-slip handle



Heel Dolly

- 15085**
- For smoothing dings and dents in sheet metal or steel



Wedge Dolly

- 15086**
- Slender general purpose dolly
 - Used for beads or flanges on fenders
 - Thin edge useful for corners



General Purpose Dolly

- 15087**
- Ideal for shaping and molding metal
 - Several differently crowned working faces



10" Flat Body Filler Shaper File Blade

- 15072**
- Easily removes and shapes partially cured body filler
 - For filing and shaping flat or contoured auto body panels



10" Round Body Filler Shaper File Blade

- 15088**
- Half-round
 - Easy to use
 - For auto body shaping



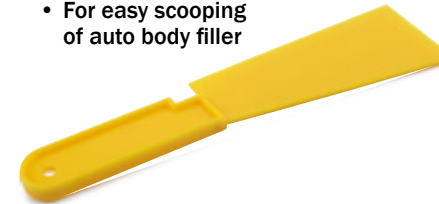
10" 3 Position File Holder

- 15075**
- 3-position file holder
 - 10" flat blade
 - Planes, shapes, files and shaves



Filler Scoop

- 15074**
- For easy scooping of auto body filler



3 Pack Spreader

- 15073**
- Great for spreading and scraping muds, pastes, spackling, grout
 - Recommended for dry walling, flooring, and tiling operations
 - Includes 3 plastic spreaders



20pc 4" Plastic Spreaders

- 15089**
- Use for auto body repair putty, fiberglass resin, and other compounds
 - Economical for small and large jobs



Suction Cup Dent Puller

- 15071**
- Easily pops dented hoods and fenders into place
 - Also works as a glass holder



Locking Suction Cup Dent Puller

- 15090**
- Double handle locking suction cup dent puller
 - Designed for auto body repair



Safety Goggles

- 15070**
- Impact Resistant
 - Elastic band for comfort and fit



Dent Puller

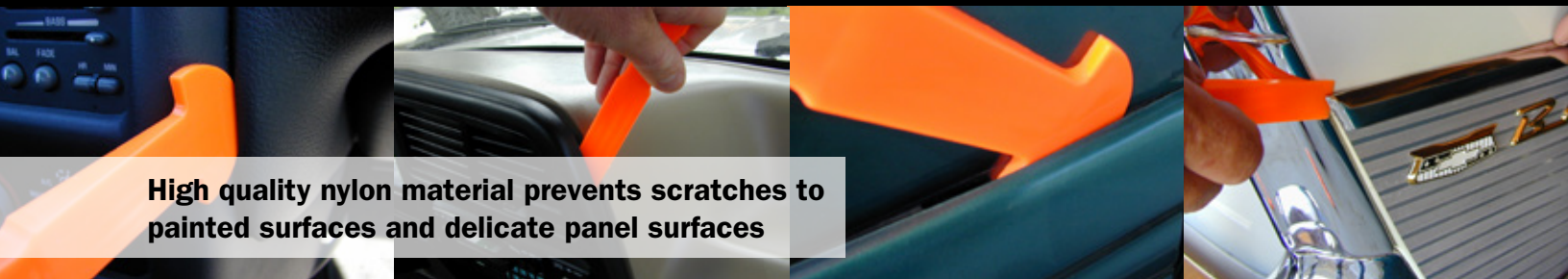
- 15077**
- Repairs dents quickly
 - Fix dents like a pro
 - Durable



Flexible Sander

- 15078**
- Flexible design allows for optimal sanding of flat & curved surfaces
 - Ergonomic dual handle design for comfort and maximum control





High quality nylon material prevents scratches to painted surfaces and delicate panel surfaces

3pc Multi Wedge Interior Trim Panel Tools

15047

- Includes 3 interior wedge tools:
 - (1) 5" x 7/8" x 1/2" short wedge
 - (1) 7" x 1" x 5/8" long wedge
 - (1) 7" x 2" x 5/8" curved tip wedge

6pc Multi Wedge Interior and Exterior Trim Panel Tools

15048 - 6pc

- Includes (3) interior and (3) exterior wedge tools:
 - (2) 5" x 7/8" x 1/2" short wedge
 - (2) 7" x 1" x 5/8" long wedge
 - (2) 7" x 2" x 5/8" curved tip wedge

All Feature:

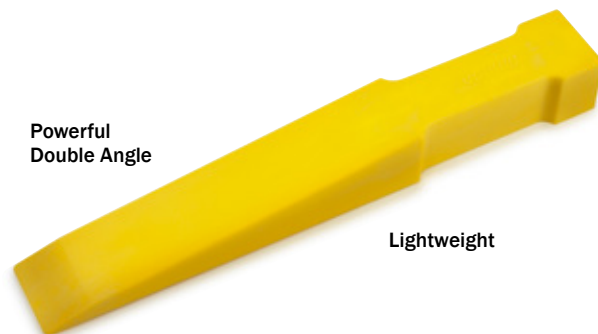
- Specially designed slim profile
- Shaped for many different applications such as removing dashboards, air vents, door panels, door locks, electronic seat controls, seat levers, center consoles, gear shifter and more
- High quality nylon material prevents scratches to painted surfaces and delicate panel surfaces
- Orange wedges are made of a flexible polyethylene material and most commonly used for interior trim
- Black wedges are made of a high impact polycarbonate material and most commonly used for exterior trim



Jumbo Wedge

15049

- High quality nylon material prevents scratches to painted surfaces and delicate panel surfaces
- ABS Plastic Wedge
- Lightweight
- Great for leveling, aligning, and prying apart materials
- Ideal for use in larger, heavier jobs such as framework and installing doors
- Ships in 12pc counter display



Ideal for use in larger, heavier jobs such as framework and installing doors



Pocket Flashlight

36006

- 1 Watt LED bulb
- Generates 90 Lumens of light
- Includes 2 AAA Duracell batteries
- Aluminium Construction
- Diameter: 5/8"
- Overall length: 5.5"



3pc Mini Electrical Tool Set

11476

- Set Includes: Cutter, Stripper, and Crimper
- Overall length of tools: 5-1/2"
- For hard to reach applications
- Spring loaded to reduce fatigue

Comfortable TPR handles for maximum grip



Cutting Capacity: 30-10Awg

Stripping Capacity: 22-10Awg

Crimping Capacity: Insulated Terminals from 22-10Awg



SHOP IRON PROFESSIONAL | GENERAL HAMMERS

5pc General Hammer Set

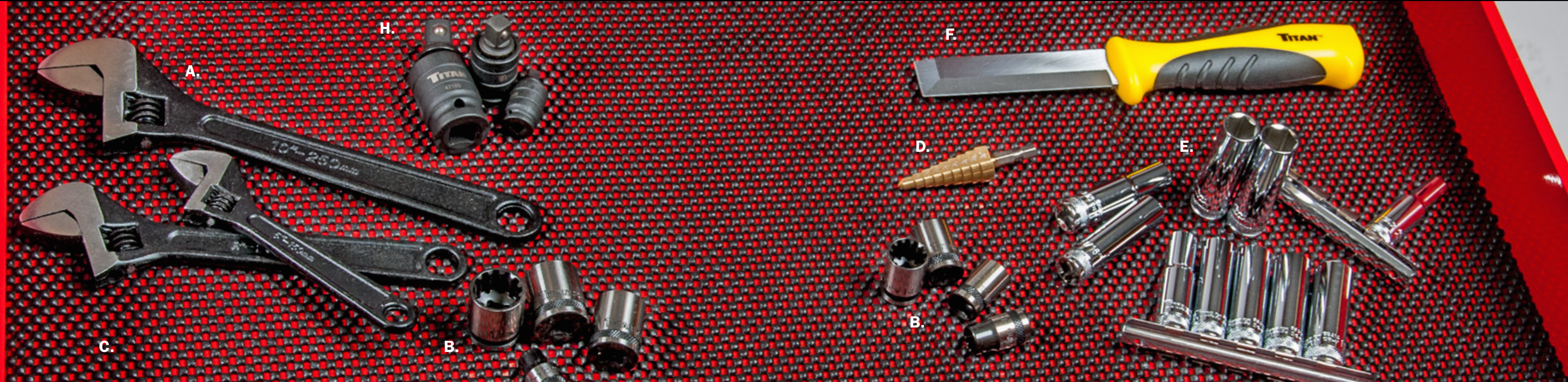
63125

- Comfortable, textured handles for handling ease

Set includes:

- (1) 16 oz. Ball Pein Hammer (Item #63316)
- (1) 32 oz. Ball Pein Hammer (Item #63024)
- (1) 32 oz. Rubber Mallet (Item #63232)
- (1) 3 lb Sledge Hammer (Item #63000)
- (1) 3 lb Cross Pein Hammer (Item #63004)





3pc Adjustable Wrench Set

203

- Sizes Includes: 6", 8" & 10"
- Drop forged Steel
- Heavy Duty
- Limited Lifetime Warranty



8pc Metric 3/8" Dr. Spline Socket Set

15204

Metric	8, 10, 12, 13, 14, 17, 18 & 19mm
--------	----------------------------------

- High contrast markings make it easy to find the right size
- Universal spline design to fit into different types of fasteners
- Chrome vanadium construction



Tool Box Drawer Liner

30931

- 16 x 8"
- Non-adhesive gripping fabric
- Washable
- Easily cuts to size
- Stops sliding and rattling



Step Drill Bit

16504

- Drill 9 different hole sizes with one bit: 1/4" - 3/4"
- Titanium coating extends life of the bit
- Hex Shank eliminates slippage



3/8" Dr. 5pc Deep Socket Sets

33051 - SAE

33052 - Metric

SAE Sizes:	3/8", 5/16", 7/16", 1/2" & 9/16"
Metric Sizes:	10, 11, 12, 13 & 14mm

Chisel-Tip Wrecking Knife

17108

- 4" Blade
- Stainless steel construction
- Strikeable end
- Chisel-tipped
- Includes holster
- Can be used for: chiselling, prying, scraping, coring, cutting, and more

10" Adjustable Spud Wrench

211

- Chrome Vanadium construction
- Black oxide finish resists corrosion
- Opens to a maximum of 1-1/4"
- Overall length: 12"

3pc Locking Impact U-Joint Set

16151

Drive Size	1/4", 3/8" & 1/2"
------------	-------------------

- Impact Grade
- Packaged in EVA foam



IMPACT POWER BIT TOOLS & ACCESSORIES

IMPACT BIT SETS

Sets Feature:

- Available in a variety of sizes
- Impact grade
- Fits standard 1/4" hex drivers



3pc 1" Impact Bit Set

16228

- Sizes Include:
- (1) #1 Phillips
- (2) #2 Phillips

3pc 1" Impact Bit Set

16229

- Sizes Include:
- (1) #3 Phillips
- (2) #2 Phillips

10pc 2" Impact Bit Set

16232

- Sizes Include:
- (1) 1/4" Slotted
- (5) #2 Phillips
- (1) #1 Phillips
- (1) #3 Phillips
- (1) T15 Star
- (1) T20 Star

10pc 2" Impact Bit Set

16233

- Sizes Include:
- (6) #2 Phillips
- (2) #1 Phillips
- (2) #3 Phillips

IMPACT POWER BIT SETS

Sets Feature:

- Available in a variety of sizes
- Impact grade
- Fits standard 1/4" hex drivers



5pc 1" Phillips Impact Power Bit Set

16205 - 5pc 1"

- Sizes include:
- (5) 1" #2 Phillips bits

5pc 2" Phillips Impact Power Bit Set

16206 - 2pc 2"

- Sizes include:
- (2) 2" #2 Phillips bits



Swivel Bit Holder

16227

- 30 degree swivelling head
- 1/4" hex shank
- Locks into stationary position



Right-Angle Drill Attachment

16235

- 90 Degree 1/4" Bit Driver with 360 Degree Swivel Handle
- 1/4" Hex Shank
- 1/4" Chuck Bit Holder
- Smooth precision turning during 90 degree position



2pc 2" Magnetic Driver Bit

16234

- #2 Phillips
- Magnetic holder
- Bit size PH2



SPLINE DRIVE WRENCHES

Spline Wrenches Feature:

- SAE and Metric Sizes
- Easily identifiable sizes
- Spline Drive for use on multiple fasteners



SAE & Metric Spline Wrenches

SAE Sizes		Metric Sizes	
81356	5/16"	81363	8mm
81357	3/8"	81364	10mm
81358	7/16"	81365	11mm
81359	1/2"	81366	13mm
81360	9/16"	81367	14mm
81361	5/8"	81368	15mm
81362	11/16"	81369	17mm



Digital Torque Adaptor

23154

- Calibration device for torque wrenches
- Includes a calibrating block
- Converts any ratchet into a torque measuring tool
- Use to re-calibrate any type of torque wrench
- 1/2" Dr.
- UOM: Kg-CM, Kg-M, In-lb, Ft-lb, and N-m
- Range: 30-150ft-lbs
- LED backlight
- Swivels 240 degrees
- Flip screen (180 degrees)
- 10 Memory settings
- Contains (1) DC 3V, CR2032 battery

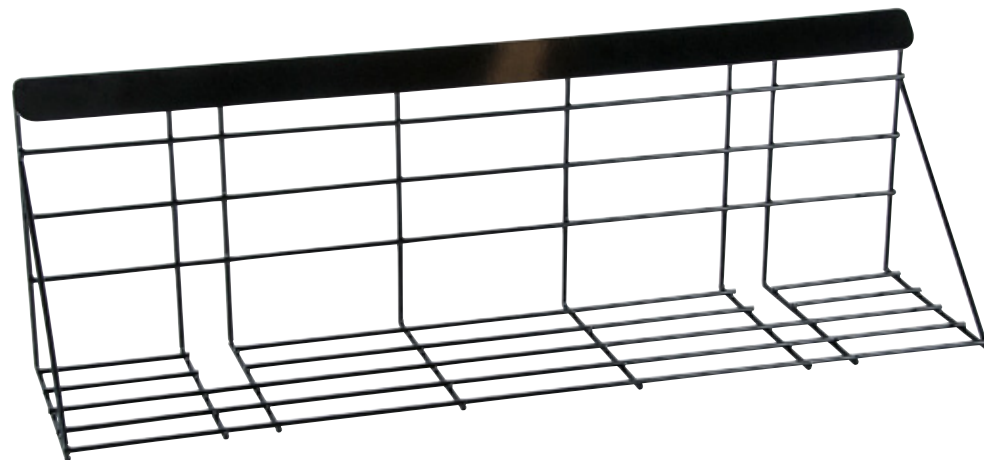




12 bowl rack

98181

- Holds 12 merchandisers
- (6) Small
- (6) Large



4 bowl rack

98182

- Holds 4 merchandisers
- (2) Small
- (2) Large



Large Merchandisers

Small Merchandisers

Item#	Description
32995	Breakaway Knife
33001	1/2" x 16' Thread Seal Tape
33003	Single Edge Scraper
33004	Nail Brush
33006	3pc Multi Color Aluminum D Ring
33007	3/4" x 60' Electrical Tape
33008	Battery Terminal Cleaner
33022	12pc Key Ring Set
33032	1in C-Clamp
33036	3ft. Key Ring Tape Measure
33037	48in Key Reel
33040	Folding Magnifying Glass

Item#	Description
32990	Brass Padlock
33033	Tweezers
33034	3 Key Chain D-Ring
32991	Multi-Purpose Key Chain
33000	Nail Clipper
33002	Spark Plug Gap Gauge
33005	Lighted Folding Knife with Key Chain
33015	4-in-1 Pocket Screwdriver
33039	3pc 3/16" Quick Link Set
33043	Key Ring Flashlight
33046	2-1/2" Utility Knife with Key Chain
33048	10-50psi Tire Gauge



Nail Clipper

32002

- 2" Long
- Includes file with curved tip
- Beaded chain



D Ring Key Holder

32003

- Colorful anodized D-ring
- Do not use for climbing
- Comes with a set of 3 key chains



2pc D Ring Key Holder

32004

- Colorful anodized D-ring



3/4" Jaw Mini Clamps

32005

- Tips and handles are rubber coated for easy gripping
- Spring activated metal clamps
- 3/4" jaw opening



Breakaway Knife

32006

- Scored sections of knife allow user to "breakaway" used portions of blade



Single Edge Scraper

32007

- 4.25" Long
- Ideal for scraping labels and decals from glass, windshields, etc



Pocket Tape Measure

32008

- Blade length 3ft
- Blade width 1/4 in



Inspection Mirror

32012

- Extends to 18-1/2"
- 1-1/8" Diameter Mirror
- Handy Pocket Clip



Magnetic Pick Up Tool

32013

- Extends to 18 1/2"
- Handy Pocket Clip



16pc Hex Key Set

32015

- SAE size includes: 1/16, 5/64, 3/32, 1/8, 5/32, 3/16, 7/32, 1/4
- Metric size Includes: 1.5, 2, 2.5, 3, 4, 5, 5.5, & 6mm
- Conveniently stored on key rings
- Different finishes for easy identification: nickel plated for SAE set and black finish for Metric set
- Made of Carbon Steel



6" Adjustable Wrench

32016

- 6" length
- Heavy duty drop forged steel
- Chrome plated to resist corrosion
- Precision machined surfaces



2-in-1 Screwdriver

32014

- Chrome vanadium steel
- Phillips and slotted screwdriver
- Ergonomic soft grip handle for maximum comfort



6-in-1 Screwdriver

32021

- Chrome vanadium bits with magnetic tips
- Ergonomic soft grip handle for maximum comfort
- Contains 4 screwdriver tips: Phillips: #1 & #2 Slotted: 3/16" & 1/4" 2 Nut drivers: 1/4" & 5/16"



Bulk Pliers

- Constructed from durable, long lasting, drop forged heat treated high carbon alloy steel

6" Slip Joint Pliers

32017

Needle Nose Pliers

32018

Diagonal Pliers

32019

Tweezer Pliers

32020

Bulk Screwdrivers

- Ergonomic soft grip handle for maximum comfort
- Chrome vanadium steel shaft
- Magnetic tip

#2 x 4" Phillips Screwdriver

32022

#1 x 3" Phillips Screwdriver

32023

1/4" x 4" Slotted Screwdriver

32024

3/16" x 3" Slotted Screwdriver

32025



Mini All-Purpose Cleaning Brush

32010

- Compact size
- Non-marring finish
- Soft bristles
- For use of cleaning under fingernails and confined spaces



Permanent Markers

32027

- Non toxic
- Fine point
- Quick drying
- Includes (4) markers: (3) black, (1) red



Mini Magnetic Tray

32028

- Size: 8-7/8 x 2-1/2, depth: 1-1/4"
- Perfect for holding small parts, hardware and fasteners in place
- Sticks to any ferrous metal surface - it even works upside down! Rubber covered magnetic base prevents scratching



3/16"x 50ft Polypropylene Rope

32029

- Polypropylene
- 300 lb. Test
- 30 lb. Working Load
- UV Resistant
- Rot Resistant



3pk Nitrile Gloves

32031

- Latex free
- Use for general purpose tasks
- Not recommended for use with chemicals
- One size fits most





1-800-386-0191

Fax: 1-800-386-0196 Email: info@titan-us.com

Distributed by Star Asia-USA, L.L.C. P.O. Box 58399, Renton, WA 98058

© Copyright 2013 Star Asia-USA, L.L.C. All rights reserved. Information contained in this literature is intended for use by Titan and Star Asia-USA, L.L.C. customers only. Any other use is prohibited. Titan and Star Asia-USA, L.L.C. are not responsible for typographical errors. Pictures are intended for reference only - actual product may vary. In our ongoing effort to provide the best quality and cost effectiveness, upgrades and modifications may be made to our products subsequent to publication which consequently will not be reflected here. Please check with your sales representative for latest information when placing orders.

supplement version 1.0 - form: SUPCAT2013.2